

# STK - Datasheet

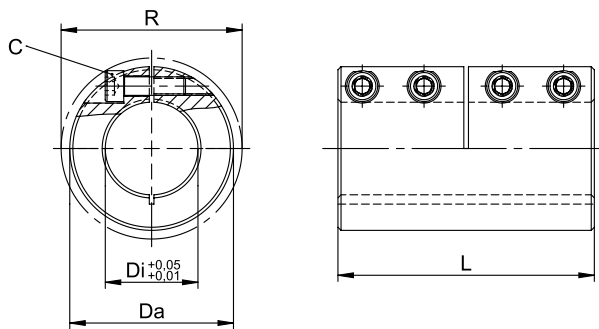
## Specifications

Model	Max. torque [N-m]			Tightening torque of screws [N-m]		Mass [kg]
	Steel [ST] Sliced/Split	Stainless steel [VA]		Steel [ST]	Stainless steel [VA]	
		Sliced [one-piece]	Split [two-piece]			
STK-6	30	12	12	2.1	1.2	0.054
STK-8	50	16	18	2.1	1.2	0.110
STK-10	100	25	30	5.1	2.9	0.200
STK-12	105	32	36	5.1	2.9	0.200
STK-14	180	42	67	10.0	5.7	0.300
STK-15	190	50	72	10.0	5.7	0.300
STK-16	200	60	77	10.0	5.7	0.300
STK-17	210	70	79	10.0	5.7	0.300
STK-19	300	90	130	17.5	10.0	0.550
STK-20	350	100	137	17.5	10.0	0.550
STK-25	400	110	171	17.5	10.0	0.670
STK-30	475	150	206	17.5	10.0	0.980
STK-35	1100	330	438	42.0	24.0	1.900
STK-40	1300	400	445	42.0	24.0	2.900
STK-50	2200	690	1000	83.0	48.0	3.600
STK-60	3000	840	1100	83.0	48.0	5.500
STK-70	4000	1500	1600	145.0	82.0	12.800
STK-80	5000	1800	1900	145.0	82.0	17.000

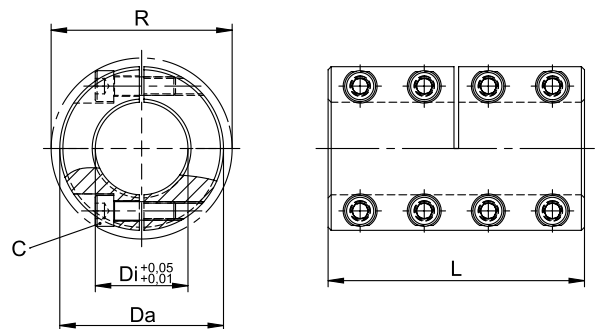
• Max. torque values will only be achieved due proper use (Material and dimensional accuracy of the shaft (recommendation h9), free of grease etc).  
 • Maximum rpm is depending on material and size.

## Dimensions

### STK Sliced



### STK Split



Model	Di	Da	L	R	Unit [mm]	
					C Sliced [one-piece]	C Split [two-piece]
STK-6	6	18	30	20.0	4-M3	8-M3
STK-8	8	24	35	24.5	4-M3	8-M3
STK-10	10	29	45	32.0	4-M4	8-M4
STK-12	12	29	45	32.0	4-M4	8-M4
STK-14	14	34	50	39.5	4-M5	8-M5
STK-15	15	34	50	39.5	4-M5	8-M5
STK-16	16	34	50	39.5	4-M5	8-M5
STK-17	17	34	50	39.5	4-M5	8-M5
STK-19	19	42	65	47.5	4-M6	8-M6
STK-20	20	42	65	47.5	4-M6	8-M6
STK-25	25	45	75	51.0	4-M6	8-M6
STK-30	30	53	83	58.0	4-M6	8-M6
STK-35	35	67	95	72.0	4-M8	8-M8
STK-40*	40	77	108	77.5	4-M8	8-M8
STK-50*	50	85	124	91.0	4-M10	8-M10
STK-60*	60	100	150	102.0	4-M10	8-M10
STK-70*	70	122	220	—	4-M12	8-M12
STK-80*	80	140	220	—	4-M12	8-M12

\*For sliced couplings with these sizes, the slit is on the outside.

### How to Place an Order

