

BXW-L Safety brakes - Datasheet

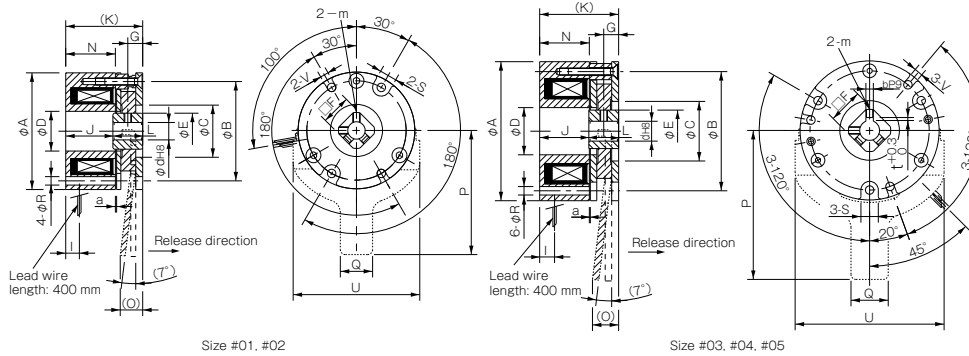
BRAKING USE

Specifications

Model	Size	Static friction torque T_s [N·m]	Coil [at 20 °C]				Heat resistance class	Lead wire		Max. rotation speed [min ⁻¹]	Rotating part moment of inertia J [kg·m ²]	Allowable braking energy rate P_{baL} [W]	Total braking energy E_t [J]	Armature pull-in time t_a [s]	Armature release time t_r [s]	Mass [kg]
			Voltage [V]	Wattage [W]	Current [A]	Resistance [Ω]		UL style	Size							
BXW-01-10L	01	0.12	12	5.0	0.417	28.8	F	UL3398	AWG26	5000	0.6×10^{-6}	2.5	1.5×10^6	0.008	0.015	0.2
			24	5.0	0.208	115	F									
			45	5.0	0.111	405	F									
			90	5.0	0.056	1622	F									
			180	5.0	0.028	6486	F									
BXW-02-10L BXW-02-12L	02	0.25	12	6.6	0.550	21.8	F	UL3398	AWG26	5000	1.9×10^{-6}	5.0	3.0×10^6	0.008	0.015	0.3
			24	6.6	0.275	87.3	F									
			45	6.6	0.147	307	F									
			90	6.6	0.073	1228	F									
			180	6.6	0.037	4912	F									
BXW-03-10L BXW-03-12L	03	0.50	12	9.0	0.750	16.0	F	UL3398	AWG26	5000	3.8×10^{-6}	10	4.5×10^6	0.025	0.025	0.4
			24	9.0	0.375	64.0	F									
			45	8.2	0.182	247	F									
			90	8.2	0.091	988	F									
			180	8.2	0.046	3954	F									
BXW-04-10L BXW-04-12L	04	1.00	12	11.5	0.958	12.5	F	UL3398	AWG22	5000	12.0×10^{-6}	20	7.0×10^6	0.030	0.030	0.6
			24	11.5	0.479	50.1	F									
			45	10.0	0.222	203	F									
			90	10.0	0.111	810	F									
			180	10.0	0.056	3241	F									
BXW-05-10L BXW-05-12L	05	2.00	12	13.0	1.083	11.1	F	UL3398	AWG22	5000	23.0×10^{-6}	30	12.0×10^6	0.035	0.035	0.8
			24	13.0	0.542	44.3	F									
			45	13.0	0.289	156	F									
			90	13.0	0.144	623	F									
			180	13.0	0.072	2492	F									

• The armature pull-in time and armature release time are taken during DC switching.

Dimensions

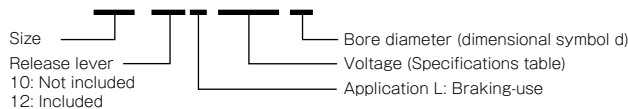


Size	Radial direction dimensions										Axial direction dimensions								Bore dimensions					
	A	B	C	D	E	S	V	R	F	m	O	P	Q	U	G	I	J	K	L	N	a	d	b	t
01	37	32	18	13.5	12.0	6	3	3	10	M3	—	—	—	—	4.5	5.0	22.5	31.5	9	22.5	0.10	5	—	—
02	47	40	21	16.0	14.5	7	3.4	3.4	12	M3	9	50	13	51	6.0	5.5	19.2	31.2	12	20.0	0.10	6	—	—
03	56	48	24	19.0	17.0	7	3.4	3.4	14	M3	11	60	15	60	6.0	6.0	19.9	31.9	12	20.0	0.15	8	—	—
04	65	58	35	24.0	22.0	7	3.4	3.4	18	M4	12	70	15	70	7.0	7.0	19.9	33.9	14	21.0	0.15	10	3	1.2
05	75	66	36	28.0	26.5	9	4.5	4.5	22	M4	14	80	20	80	7.0	7.0	22.1	36.1	14	21.5	0.15	12	4	1.5

• There is no release lever option for size #01.

How to Place an Order

BXW-01-10L-24V-5



• Further bore diameters and voltages possible on request.

BXW-H Safety brakes - Datasheet

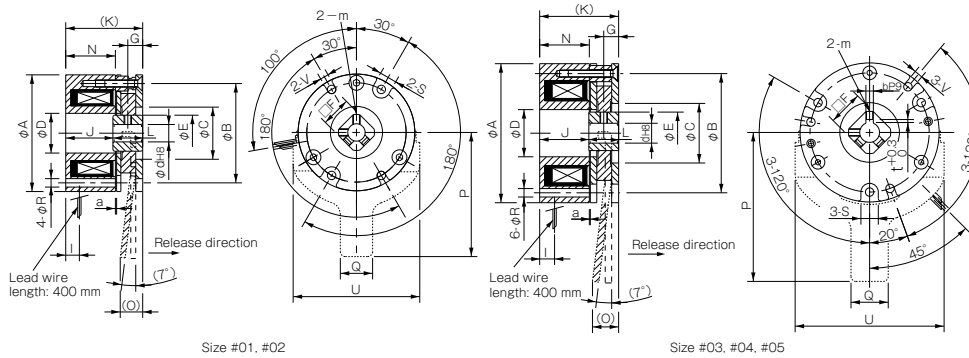
HOLDING AND BRAKING USE

Specifications

Model	Size	Static friction torque T_s [N·m]	Coil [at 20 °C]				Heat resistance class	Lead wire		Max. rotation speed [min ⁻¹]	Rotating part moment of inertia J [kg·m ²]	Allowable braking energy rate P_{ba} [W]	Total braking energy E_t [J]	Armature pull-in time t_{ai} [s]	Armature release time t_{ar} [s]	Mass [kg]
			Voltage [V]	Wattage [W]	Current [A]	Resistance [Ω]		UL style	Size							
BXW-01-10H	01	0.24	12	5.0	0.417	28.8	F	UL3398	AWG26	5000	0.6×10^6	0.5	0.2×10^6	0.010	0.010	0.2
			24	5.0	0.208	115	F									
			45	5.0	0.111	405	F									
			90	5.0	0.056	1622	F									
			180	5.0	0.028	6486	F									
BXW-02-10H BXW-02-12H	02	0.50	12	6.6	0.550	21.8	F	UL3398	AWG26	5000	1.9×10^6	1.0	0.3×10^6	0.010	0.010	0.3
			24	6.6	0.275	87.3	F									
			45	6.6	0.147	307	F									
			90	6.6	0.073	1228	F									
			180	6.6	0.037	4912	F									
BXW-03-10H BXW-03-12H	03	1.00	12	9.0	0.750	16.0	F	UL3398	AWG26	5000	3.8×10^6	2.0	0.5×10^6	0.035	0.020	0.4
			24	9.0	0.375	64.0	F									
			45	8.2	0.182	247	F									
			90	8.2	0.091	988	F									
			180	8.2	0.046	3954	F									
BXW-04-10H BXW-04-12H	04	2.00	12	11.5	0.958	12.5	F	UL3398	AWG22	5000	12.0×10^6	4.0	1.0×10^6	0.040	0.025	0.6
			24	11.5	0.479	50.1	F									
			45	10.0	0.222	203	F									
			90	10.0	0.111	810	F									
			180	10.0	0.056	3241	F									
BXW-05-10H BXW-05-12H	05	4.00	12	13.0	1.083	11.1	F	UL3398	AWG22	5000	23.0×10^6	6.0	2.0×10^6	0.045	0.030	0.8
			24	13.0	0.542	44.3	F									
			45	13.0	0.289	156	F									
			90	13.0	0.144	623	F									
			180	13.0	0.072	2492	F									

• The armature pull-in time and armature release time are taken during DC switching.

Dimensions

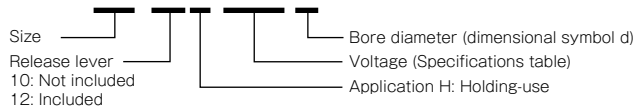


Size	Radial direction dimensions										Axial direction dimensions										Bore dimensions			
	A	B	C	D	E	S	V	R	F	m	O	P	Q	U	G	I	J	K	L	N	a	d	b	t
01	37	32	18	13.5	12.0	6	3	3	10	M3	—	—	—	—	4.5	5.0	22.5	31.5	9	22.5	0.10	5	—	—
02	47	40	21	16.0	14.5	7	3.4	3.4	12	M3	9	50	13	51	6.0	5.5	19.2	31.2	12	20.0	0.10	6	—	—
03	56	48	24	19.0	17.0	7	3.4	3.4	14	M3	11	60	15	60	6.0	6.0	19.9	31.9	12	20.0	0.15	8	—	—
04	65	58	35	24.0	22.0	7	3.4	3.4	18	M4	12	70	15	70	7.0	7.0	19.9	33.9	14	21.0	0.15	10	3	1.2
05	75	66	36	28.0	26.5	9	4.5	4.5	22	M4	14	80	20	80	7.0	7.0	22.1	36.1	14	21.5	0.15	12	4	1.5

• There is no release lever option for size #01.

How to Place an Order

BXW-01-10H-24V-5



• Further bore diameters and voltages possible on request.

BXW-S Safety brakes - Datasheet

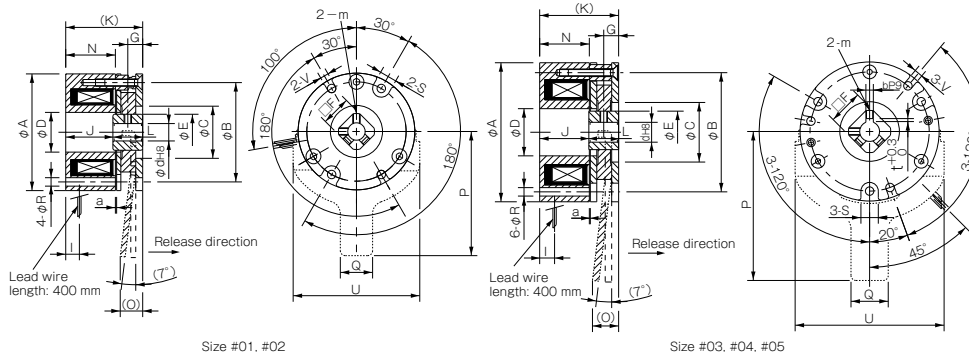
HOLDING USE

Specifications

Model	Size	Static friction torque T_s [N·m]	Coil [at 20 °C]				Heat resistance class	Lead wire		Max. rotation speed [min ⁻¹]	Rotating part moment of inertia J [kg·m ²]	Allowable braking energy rate P_{baE} [W]	Total braking energy E_t [J]	Armature pull-in time t_a [s]	Armature release time t_r [s]	Mass [kg]
			Voltage [V]	Wattage [W]	Current [A]	Resistance [Ω]		UL style	Size							
BXW-01-10S	01	0.36	24	5.0	0.208	115	F	UL3398	AWG26	5000	0.6×10^{-6}	—	—	0.025	0.010	0.2
BXW-02-10S BXW-02-12S	02	0.75	24	6.6	0.275	87.3	F	UL3398	AWG26	5000	1.9×10^{-6}	—	—	0.030	0.010	0.3
BXW-03-10S BXW-03-12S	03	1.50	24	9.0	0.375	64.0	F	UL3398	AWG26	5000	3.8×10^{-6}	—	—	0.035	0.020	0.4
BXW-04-10S BXW-04-12S	04	2.60	24	11.5	0.479	50.1	F	UL3398	AWG22	5000	12.0×10^{-6}	—	—	0.040	0.025	0.6
BXW-05-10S BXW-05-12S	05	5.20	24	13.0	0.542	44.3	F	UL3398	AWG22	5000	23.0×10^{-6}	—	—	0.045	0.030	0.8

• The armature pull-in time and armature release time are taken during DC switching.

Dimensions



Unit [mm]

Size	Radial direction dimensions											Axial direction dimensions								Bore dimensions				
	A	B	C	D	E	S	V	R	F	m	O	P	Q	U	G	I	J	K	L	N	a	d	b	t
01	37	32	18	13.5	12.0	6	3	3	10	M3	—	—	—	—	4.5	5.0	22.5	31.5	9	22.5	0.10	5 6	—	—
02	47	40	21	16.0	14.5	7	3.4	3.4	12	M3	10.2	50	13	51	6.0	5.5	19.2	31.2	12	20.0	0.10	6 7	—	—
03	56	48	24	19.0	17.0	7	3.4	3.4	14	M3	11.7	60	15	60	6.0	6.0	19.9	31.9	12	20.0	0.15	8	—	—
04	65	58	35	24.0	22.0	7	3.4	3.4	18	M4	12.5	70	15	70	7.0	7.0	19.9	33.9	14	21.0	0.15	10	3	1.2
05	75	66	36	28.0	26.5	9	4.5	4.5	22	M4	14.5	80	20	80	7.0	7.0	22.1	36.1	14	21.5	0.15	12	4	1.5

• There is no release lever option for size #01.

How to Place an Order

BXW-01-10S-24V-5

Size ——— Bore diameter (dimensional symbol d)
 Release lever ——— Voltage (Specifications table)
 10: Not included ——— Application S: Dedicated for holding
 12: Included

• Further bore diameters and voltages possible on request.

BXW-R Safety brakes - Datasheet

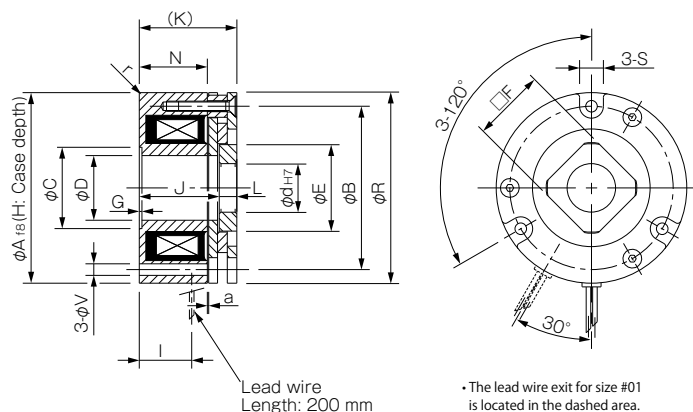
FOR SERVO MOTOR USE

Specifications

Model	Size	Static friction torque Ts [N·m]	Coil [at 20 °C]				Heat resistance class	Lead wire		Max. rotation speed [min ⁻¹]	Rotating part moment of inertia J [kg·m ²]	Allowable braking energy rate Eba [J]	Total braking energy Et [J]	Armature pull-in time ta [s]	Armature release time tar [s]	Mass [kg]
			Voltage [V]	Wattage [W]	Current [A]	Resistance [Ω]		UL style	Size							
BXW-01-10R	01	0.3	24	6.1	0.254	94.4	F	UL3398	AWG26	6000	1.36 × 10 ⁻⁷	15	3000	0.035	0.020	0.1
BXW-03-10R	03	1.3	24	7.2	0.300	80.0	F	UL3398	AWG22	6000	1.17 × 10 ⁻⁶	87	17000	0.050	0.020	0.3
BXW-05-10R	05	2.5	24	8.0	0.333	72.0	F	UL3398	AWG22	6000	3.68 × 10 ⁻⁶	200	40000	0.060	0.020	0.5

• The armature pull-in time and armature release time are taken during DC switching.

Dimensions



Model	Radial direction dimensions										Axial direction dimensions							Bore dimensions		
	A	r	B	C	D	E	S	V	R	F	G	H	I	J	K	L	N	a	d	d max
BXW-01-10R	33	R0.5	26.5	16	9	14	7	3.4	32.5	12	0.2	4	19	25.5 ~ 26	30	4	22.8	0.1	8.5	8.5
BXW-03-10R	48	R1	42	26	14	23	8	3.4	47.5	19	0.2	4	18	25.5 ~ 26	30	4	22.6	0.1	11	15
BXW-05-10R	64	R1	56	28	22	31	8	4.5	63.5	25	0.2	4	16	25 ~ 25.5	30	4.5	21.3	0.1	16	20

• Further bore diameters and keyways possible on request. Please contact Miki Pulley for details.

How to Place an Order

BXW-01-10R-24V-8.5

Size ———— Bore diameter (dimensional symbol d)
 Release lever ———— Voltage (Specifications table)
 10: Not included ———— Application R: Servo motor-use

• Further bore diameters and voltages possible on request.